



Serial No. 09/934,242 - Filed: 8/21/01
Inventors: Colin P. Hart et al.
Title: "Pressure Transducer Protection Valve"
Replacement Sheet 1 of 2 (FORMAL DRAWINGS)

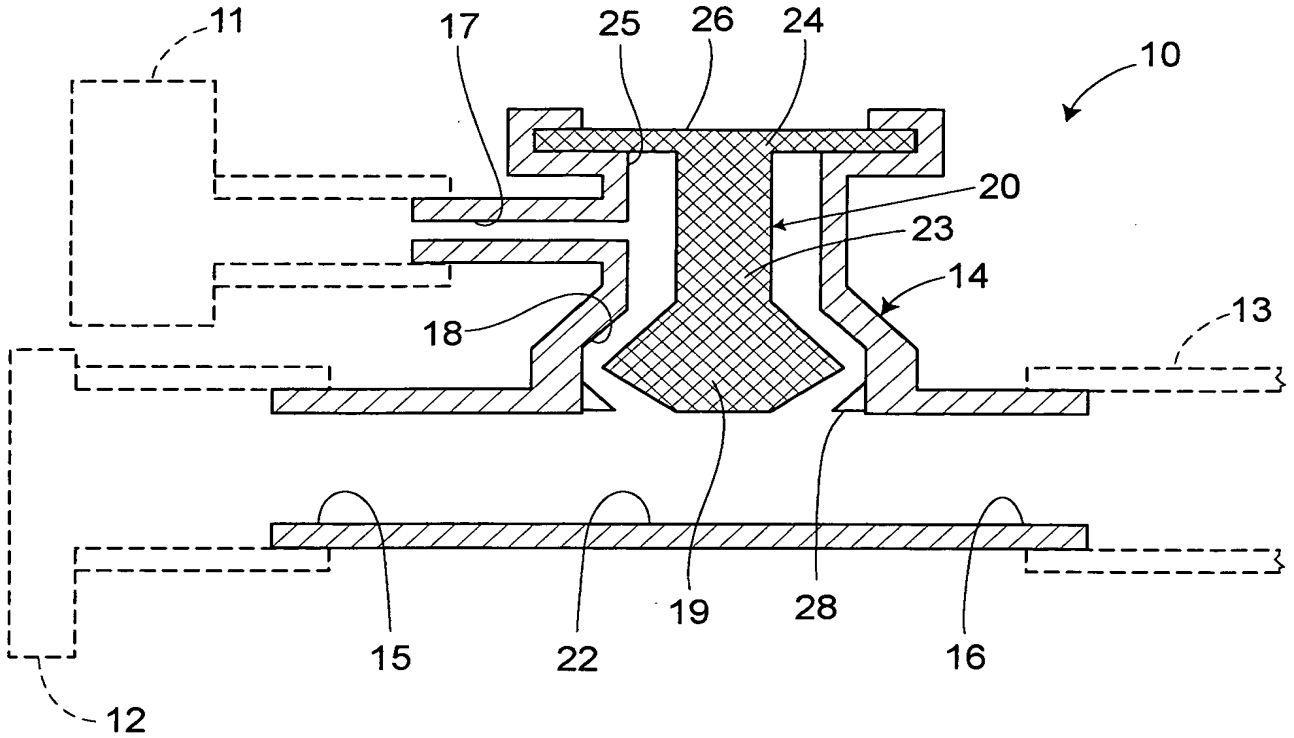


FIG. 1

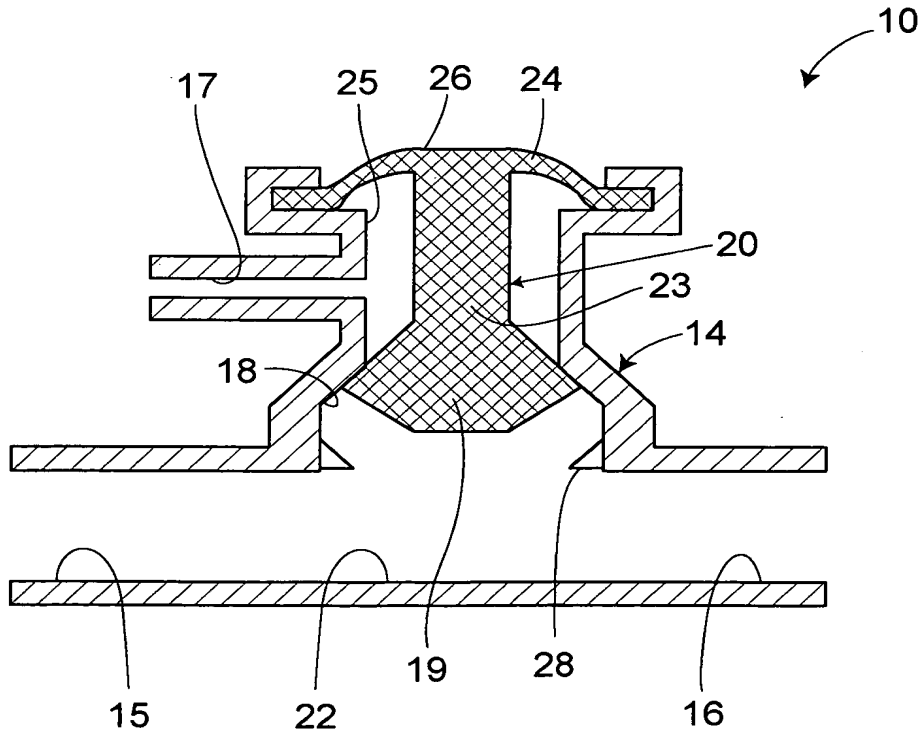


FIG. 2



Serial No. 09/934,242 - Filed: 8/21/01
Inventors: Colin P. Hart et al.
Title: "Pressure Transducer Protection Valve"
Replacement Sheet 2 of 2 (FORMAL DRAWINGS)

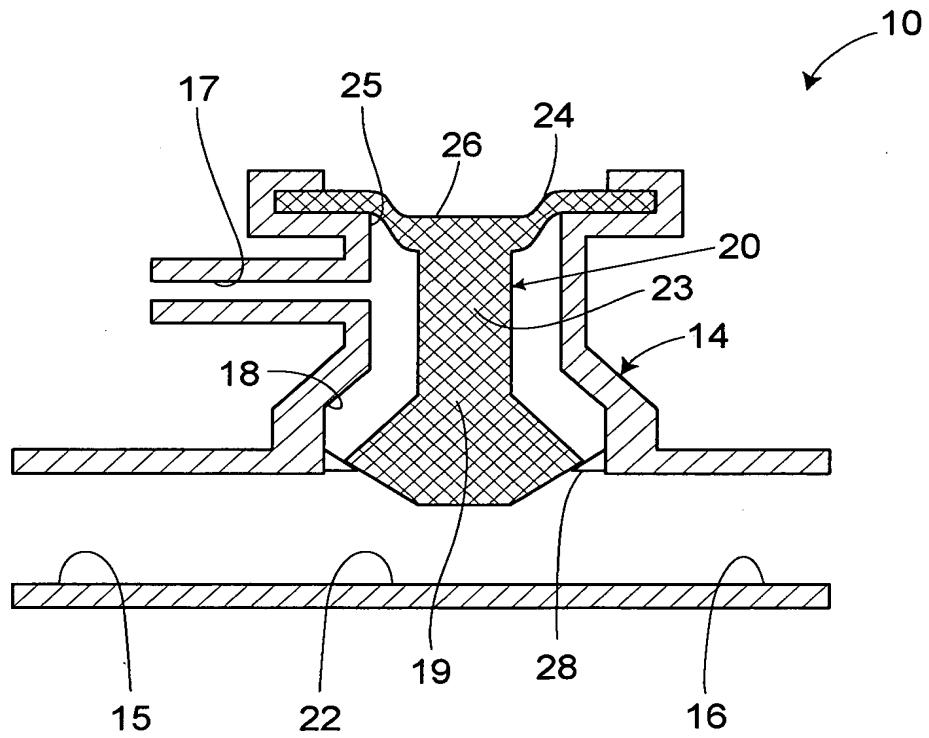


FIG. 3